

**TORUS DPSS CONTINUOUS WAVE LASER SERIES**

# ACTIVE MODE LOCKING, SINGLE LONGITUDINAL MODE LASER

Novanta develops photonics solutions specializing in cutting-edge components and sub-systems for laser-based diagnostic, analytical, micromachining and fine material processing applications. Powerful lasers, coupled with advanced beam steering and intelligent sub-systems incorporating software and controls, deliver extreme precision and performance, tailored to our customers' demanding applications.

## LEADING LIFETIMES

Based on an ingenious virtual ring cavity design the torus family of single longitudinal mode lasers stands out for its unique spectral characteristics. A bandwidth of <1MHz and market leading spectral purity makes this laser ideal for demanding applications including Brillouin Scattering, Raman Spectroscopy, Interferometry and Holographic applications.

Advanced design characteristics include active mode locking, a technology that minimizes mode drift, eliminates mode hop and generates an ultra-stable spectral output.

\* Measured by a customer and does not represent a Laser Quantum specification.

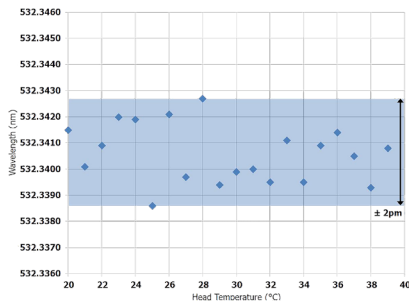


Fig. 1 Typical wavelength stability versus head temperature of torus laser.

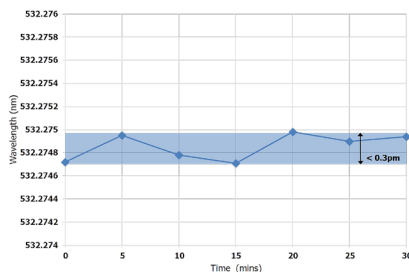
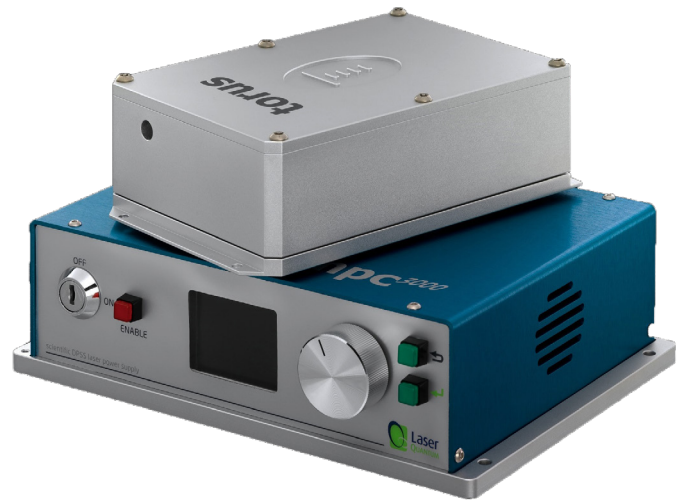


Fig. 2 Typical wavelength stability versus time of torus laser.



The torus laser with active mode-locking

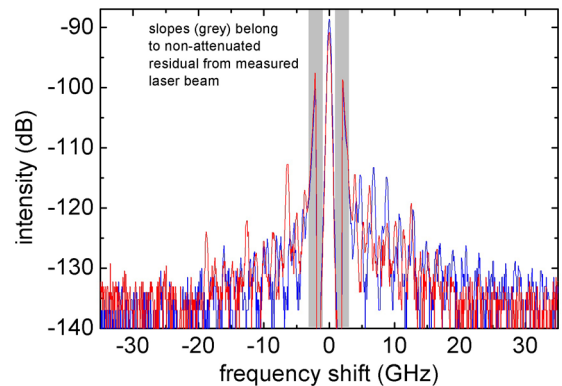


Fig. 3 High spectral purity with sidebands

## UNIQUE FEATURES

### High precision and high resolution in measurements

- High spectral purity with suppressed sidebands for highly accurate results
- Ultra-narrow bandwidth enables high resolution in spectroscopic applications

### Repeatable and consistent results

- Active mode locking enables highly stable spectral output resulting in consistent and repeatable results.

## TORUS DPSS CONTINUOUS WAVE LASER SERIES SPECIFICATIONS

Specification	torus 532	torus 660
Wavelength	532 nm	660 nm
Power	250 - 750 mW	150 - 200 mW
Beam Diameter <sup>1</sup>	1.7 ± 0.2 mm	
Spatial Mode	TEM <sub>00</sub>	
Ellipticity	< 1:1.1	
Bandwidth	1 MHz	
Divergence	≤ 0.45 mrad	≤ 0.55 mrad
M <sup>2</sup>	< 1.1	
Power Stability (RMS) <sup>2</sup>	< 0.2%	< 1.0%
Noise (RMS)	≤ 1%	
Noise Bandwidth	10 Hz - 100 MHz	10 Hz - 50 kHz
Beam Pointing Stability	< 2 μrad/ °C	
Polarization Ratio	> 100:1	
Polarization Direction <sup>3</sup>	Vertical	
Coherence Length	> 100 m	
Beam Angle <sup>4</sup>	< 1 mrad	
Operating Temperature	15 - 35° C	

\* Laser Quantum operates a continuous improvement programme which can result in specifications being improved without notice.

<sup>1</sup> Beam diameter defined as the average of major and minor 1/e<sup>2</sup> beam size measured at 25 cm from exit port, at specified power.

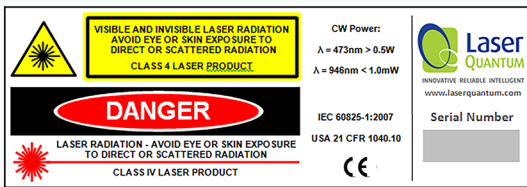
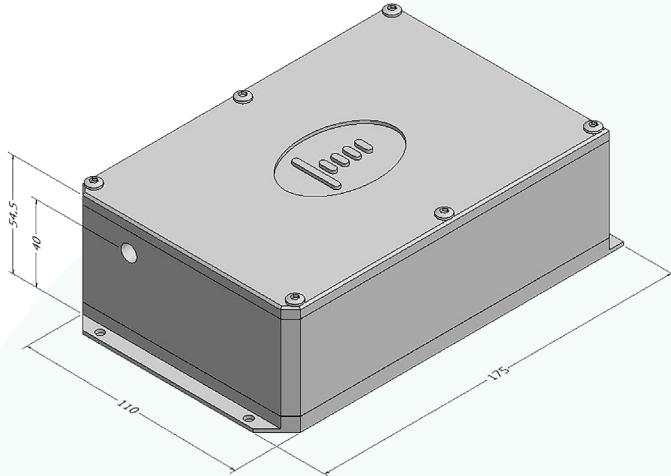
<sup>2</sup> Test duration >100 hrs. at constant temperature.

<sup>3</sup> Horizontal polarization is available upon request.

<sup>4</sup> Tolerance relative to head orientation.

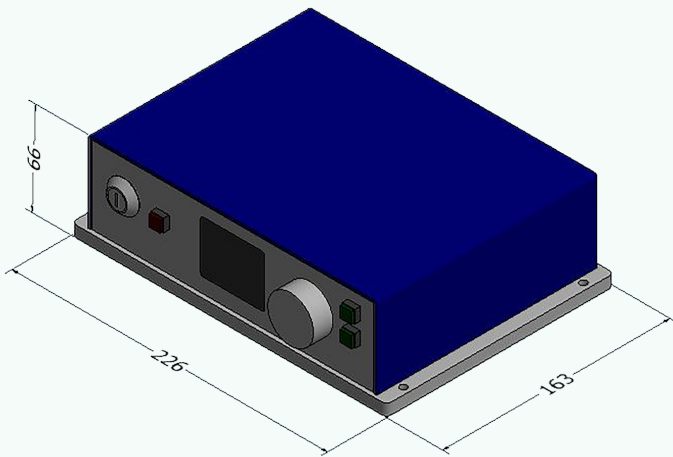
# TORUS DPSS CONTINUOUS WAVE LASER SERIES

## DIMENSIONS (mm)



Drawings are for illustrative purposes only, please contact us for complete engineer's drawings

## POWER SUPPLY UNIT



## CONTACT US

### Americas, Asia Pacific

Novanta Headquarters  
Bedford, USA  
P +1-781-266-5700

Photonics@Novanta.com

### Europe, Middle East, Africa

Novanta Europe GmbH  
Wackersdorf, Germany  
P +49 9431 7984-0

Milan, Italy  
P +39-039-793-710

Photonics@Novanta.com

### China

Novanta Sales & Service Office  
Shenzhen, China  
P +86-755-8280-5395

Suzhou, China  
P +86-512-6283-7080

Photonics.China@Novanta.com

### Japan

Novanta Service & Sales Office  
Tokyo, Japan  
P +81-3-5753-2460

Photonics.Japan@Novanta.com

## FLEXIBLE DESIGN

Customizable options available for your laser to optimize your application.

- **TruLoQTM:** Effects of temperature change on the laser such as mode-drift and mode-hop are minimized.
- **1200 g drop-test:** (Fig. 2) All gem lasers undergo a drop test to check that all components are correctly fitted prior to its extended 300 hour test period. This rigorous testing regime ensures long operational lifetimes.
- **RemoteAppTM:** Works with software that allows the laser to be controlled locally, over the internet and connected directly to our support team for monitoring laser performance, diagnosing opportunities and carrying out laser optimization.

## POWER SUPPLY UNIT

- Weight: 1.2 kg • Umbilical length: 1.5 m
- Warm-up time: <30 minutes
- Cooling options available
- Horizontal polarization is available on request
- Fiber coupling available
- LabView drivers available
- 2 years unlimited hours warranty for scientific users