

EVO-SF

SINGLE-FREQUENCY NARROWBAND ERBIUM LASER



Description

Erbium single-frequency narrowband fiber laser with low noise level. Stability of laser parameters is achieved by active temperature stabilization in a wide range. The laser has small dimensions and can be built into a standard 19" rack or have an OEM design.

Due to the user-friendly front panel interface and flexible Ethernet (TCP/IP) interface, the laser can easily be used for research purposes in laboratories and measurement facilities.

Specifications

Center wavelength	1550 nm
Wavelength range	1530–1580 nm
Wavelength thermal tuning range	0.35 nm
Wavelength piezo tuning range	0,75 nm
Min. power	40 mW
Max. power	7 W
Beam quality M^2	1.15
Spectral linewidth	<5 kHz
RIN peak	appr. 30 MHz
RIN level	< -40 dBc/Hz @ peak < -50 dBc/Hz @ 10 MHz
Max. phase noise	< -35 dBc[rad/√Hz] @100 Hz < -30 dBc[rad/√Hz] @1 kHz < -38 dBc[rad/√Hz] @10 kHz
S/N	48 dB
Output isolation	43 dB
Polarization	Linear
Power stability (short-term)	0.125 %
Power stability (long-term)	0.5 %/h
Frequency drift (long-term)	0.0001 %/h

Applications

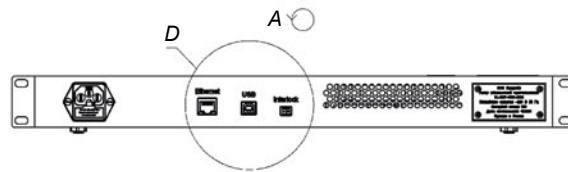
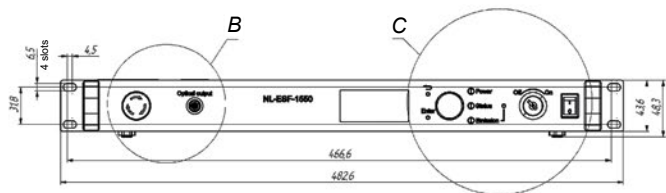
- Interferometric measurements
- Measurements of surface velocity in fast-moving, shock-wave processes
- Vibrometry
- Laser spectroscopy
- Optical communications

Ordering information

Part number: EVO-SF-aaaa-bbbb-ccc

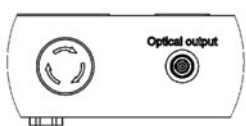
Part-number	Wavelength, nm	Power, mW	Configuration
EVO-SF	aaaa	bbbbbb	ccc
	1530	40	OEM
	1550	200	No marking – at 19" rack body
	1580	2000	
	Other from the range	10000	

Mechanical drawings

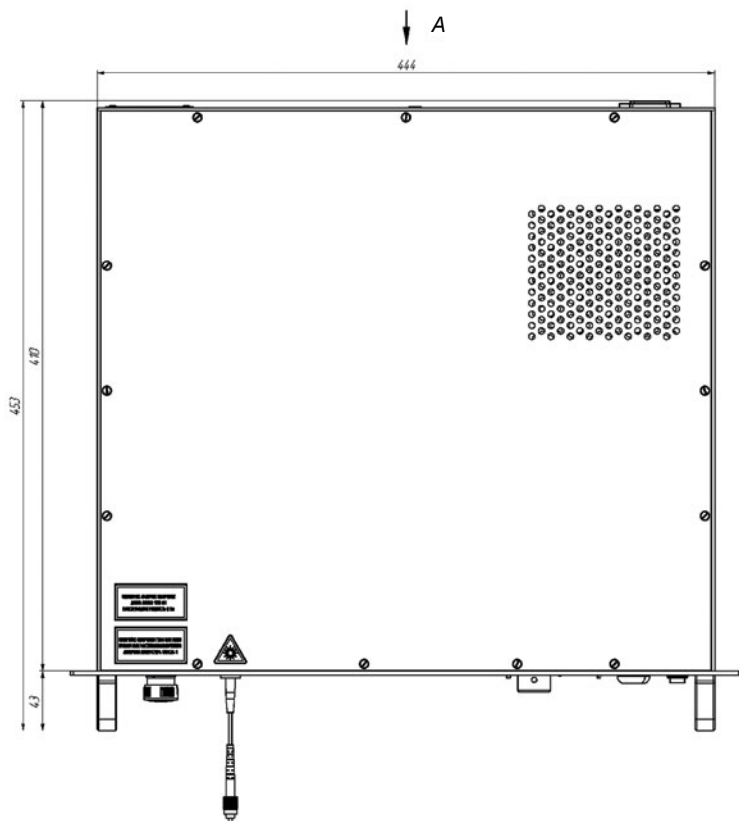
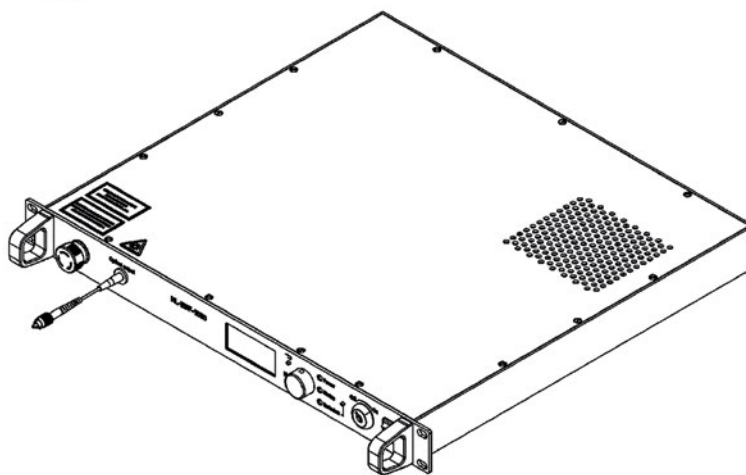
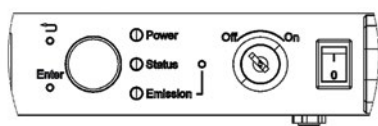


B (zoomed in)

C (zoomed in)



D (zoomed in)



Typical performance characteristics

